



Amazon Sixty London, Holborn Viaduct
Consultant: SWECO
Architect: KPF
Photographer: Edmund Sumner/VIEW

VP Series

Premium Architectural Downlighter

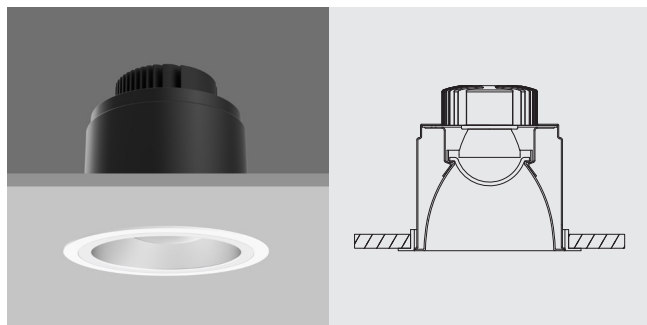


ALL NEW VISUAL PERFORMANCE (VP) SERIES ARCHITECTURAL DOWNLIGHTER TO SUIT MULTIPLE CEILING TYPES

VISUAL PERFORMANCE (VP) series downlighters are key to the design of DAL deep cone downlighters.

Designed for optimum glare control, VP luminaires ensure visual comfort together with high efficiency. The precision tooled reflectors using low brightness, highly reflective material, maximising LED performance.

All new updated VP series incorporate with multi-type ceiling fit design, with a choice of light distributions and available in five diameters. The VP series offer the ideal solutions to many architectural and interior design projects.

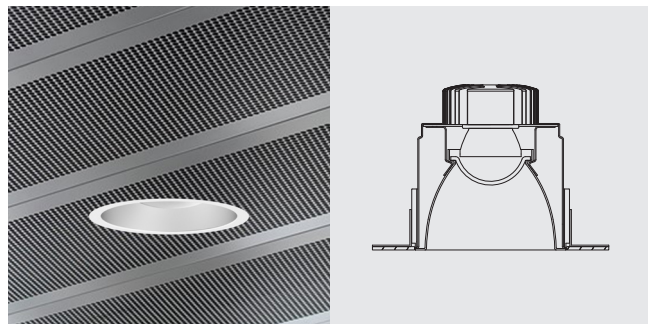
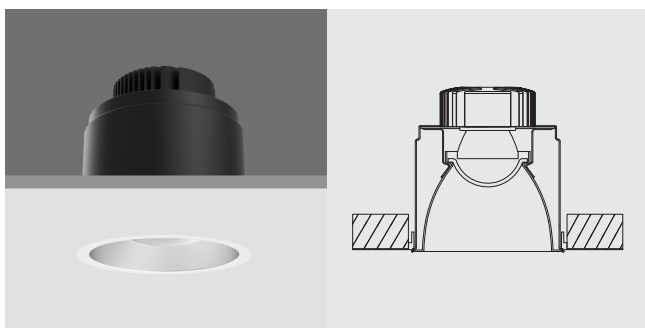


Standard Fitting

Trim style design fits most conventional ceiling systems and provides excellent lighting performance.

Acoustic Plaster

Trimless fitting design helps interior designers match their plaster ceiling design details.

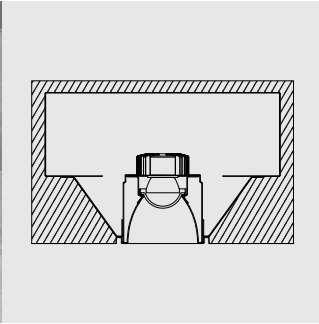
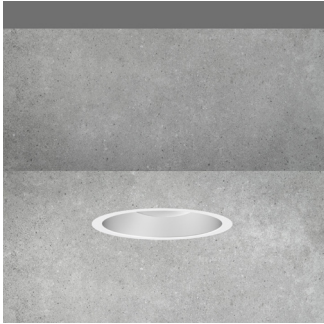
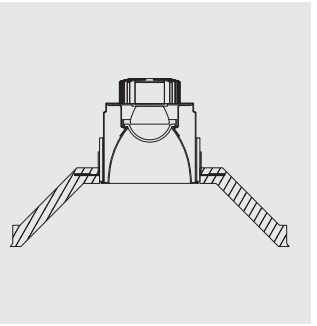


Metal

Ideal for integrating with metal ceiling tiles. Keeping metal ceiling's natural looks without distractions.

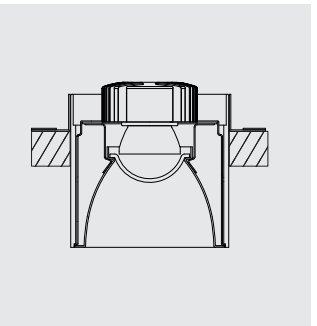
Gypsum

Seamlessly integrating with ceiling, gypsum fitting helps designers to create smooth and unique ceiling designs without compromise.



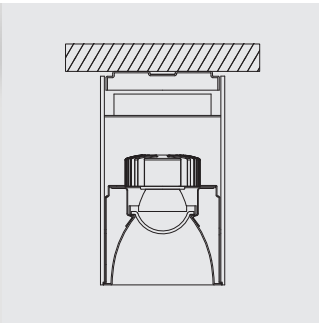
Concrete

Modular design allows easy access from below for maintenance or inspection.



Wood

Housing length micro adjustment mechanism maintains overall ceiling look.



Surface Mount

Integrated driver design with multiple beam distributions and easy maintenance capability.

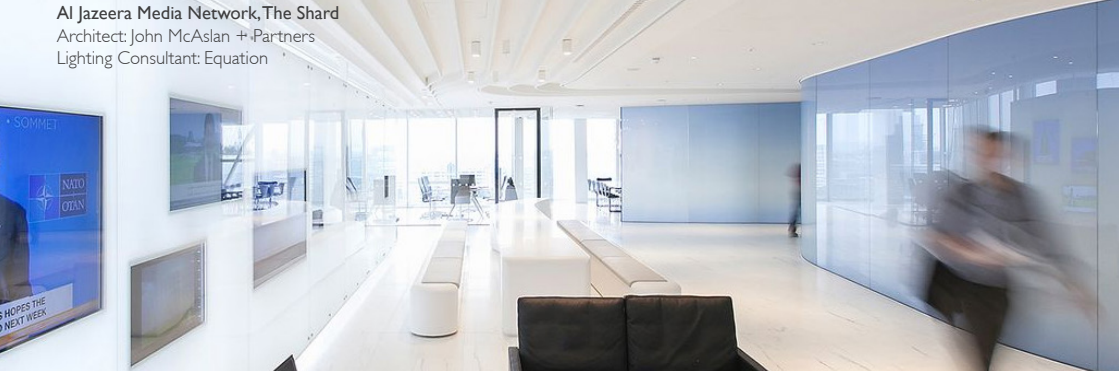
The Shard

Architect: Renzo Piano

Lighting Consultant: ARUP Lighting

Photographer: © Dennis Gilbert / VIEW





SIZE AND LUMEN PACKAGE

General Specification

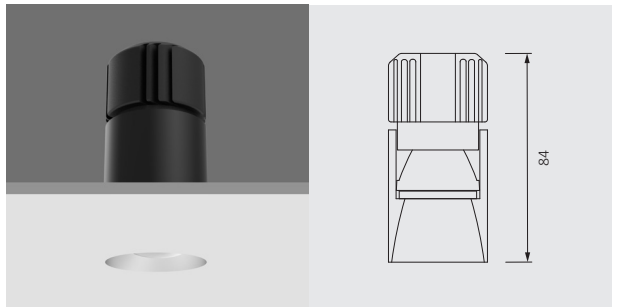
- Fixed, Directional and Wallwasher downlighter
- 36 / 48 / 70 / 104 / 120 mm diameter aperture
- High cut off angle
- Various beam distributions available
- Ingress Protection version available
- Built to comply with UKCA
- Class III construction for low voltage

LED Specification

- Cree LED
- CCT: 2700K, 3000K, 4000K
- Future proofed Zhaga compatible LEDs
- CRI: Ra>90
- 2 Step or 3 Step MacAdam available
- DALI, 1-10V, TRIAC dimming control
- Emergency modes and conversion available

VP 36 Ø36 mm Aperture

Cree Light Engine
 For 22° / 27° / 40° / 45° Beam

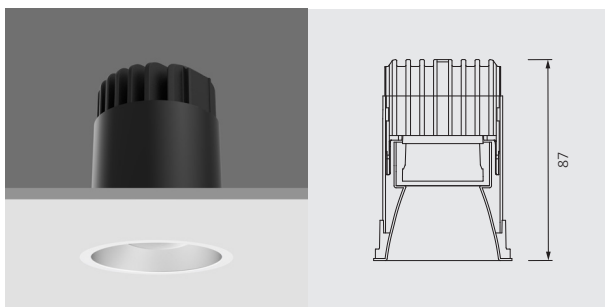


CCT	Lumen Source	CRI	Forward Voltage	Pd (W)	Current
2700K	540 lm	90	37V	5.5 W	150 mA
	680 lm	90	38V	7.5 W	200 mA
	800 lm	90	39V	8.0 W	250 mA
3000K	570 lm	90	37V	5.5 W	150 mA
	710 lm	90	38V	7.5 W	200 mA
	840 lm	90	39V	8.0 W	250 mA
4000K	610 lm	90	37V	5.5 W	150 mA
	770 lm	90	38V	7.5 W	200 mA
	900 lm	90	39V	8.0 W	250 mA

VP 48

Ø48 mm Aperture

Cree Light Engine
For 18° / 25° / 38° / 51°
& Wallwash Beam

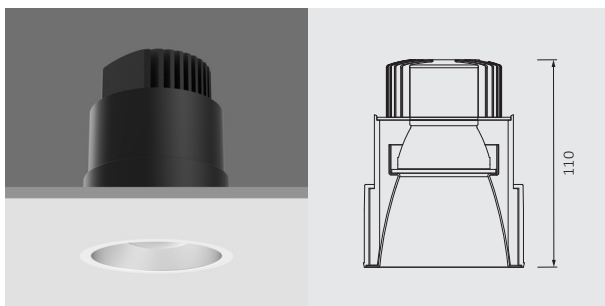


CCT	Lumen Source	CRI	Forward Voltage	Pd (W)	Current
2700K	870 lm	90	33V	8 W	250 mA
	1030 lm	90	33V	10 W	300 mA
	1180 lm	90	33V	12 W	350 mA
3000K	900 lm	90	33V	8 W	250 mA
	1100 lm	90	33V	10 W	300 mA
	1250 lm	90	33V	12 W	350 mA
4000K	1000 lm	90	33V	8 W	250 mA
	1200 lm	90	33V	10 W	300 mA
	1370 lm	90	33V	12 W	350 mA

VP 70

Ø70 mm Aperture

Cree Light Engine
For 18° / 24° / 37° / 50°
& Wallwash Beam

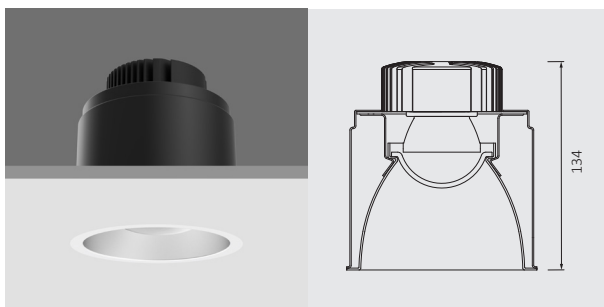


CCT	Lumen Source	CRI	Forward Voltage	Pd (W)	Current
2700K	1660 lm	90	34V	12 W	350 mA
	1870 lm	90	34V	14 W	400 mA
	2080 lm	90	34V	15 W	450 mA
3000K	1730 lm	90	34V	12 W	350 mA
	1950 lm	90	34V	14 W	400 mA
	2170 lm	90	34V	15 W	450 mA
4000K	1760 lm	90	34V	12 W	350 mA
	1980 lm	90	34V	14 W	400 mA
	2200 lm	90	34V	15 W	450 mA

VP 104

Ø104 mm Aperture

Cree Light Engine
For 22° / 32° / 42° / 54°
& Wallwash Beam

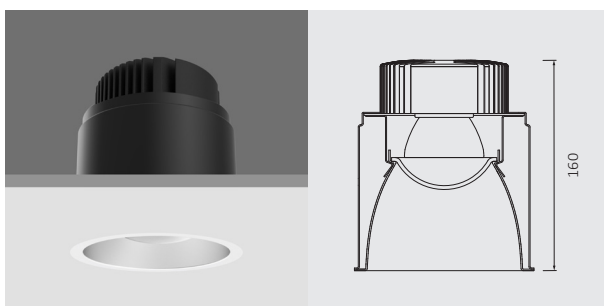


CCT	Lumen Source	CRI	Forward Voltage	Pd (W)	Current
2700K	2520 lm	90	33V	17W	500 mA
	2750 lm	90	33V	19W	550 mA
	2990 lm	90	33V	21W	600 mA
3000K	2630 lm	90	33V	17W	500 mA
	2870 lm	90	33V	19W	550 mA
	3110 lm	90	33V	21W	600 mA
4000K	2660 lm	90	33V	17W	500 mA
	2910 lm	90	33V	19W	550 mA
	3160 lm	90	33V	21W	600 mA

VP 120

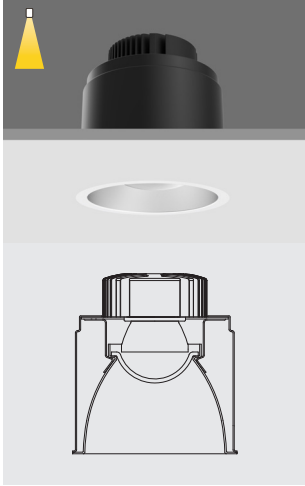
Ø120 mm Aperture

Cree Light Engine
For 22° / 32° / 42° / 54°
& Wallwash Beam

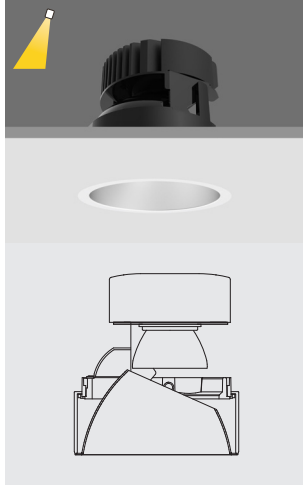


CCT	Lumen Source	CRI	Forward Voltage	Pd (W)	Current
2700K	3220 lm	90	33V	23W	650 mA
	3450 lm	90	33V	25W	700 mA
	3670 lm	90	33V	27W	750 mA
3000K	3350 lm	90	33V	23W	650 mA
	3590 lm	90	33V	25W	700 mA
	3830 lm	90	33V	27W	750 mA
4000K	3400 lm	90	33V	23W	650 mA
	3650 lm	90	33V	25W	700 mA
	3890 lm	90	33V	27W	750 mA

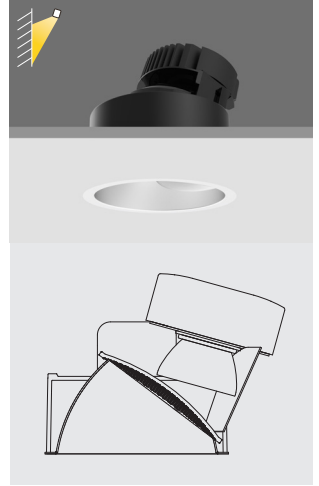
BEAM DISTRIBUTION



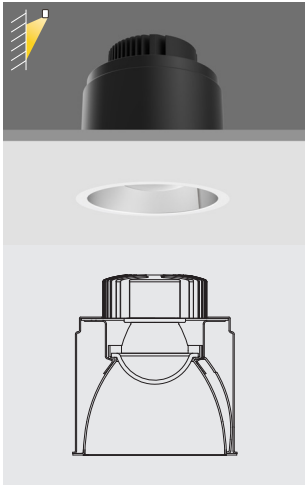
Downlighter



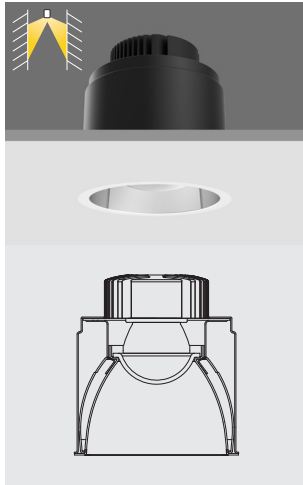
Directional



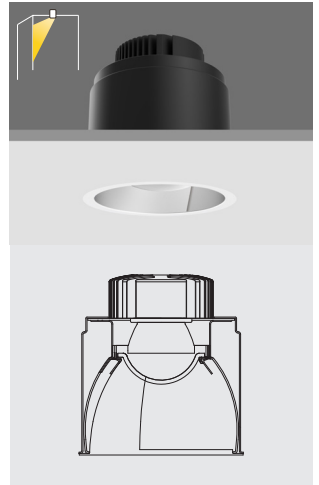
Directional Lens Wallwasher



Single Kick Wallwasher



Double Kick Wallwasher



Corner Kick Wallwasher

DAL LONDON STUDIO

UNDERWOOD WORKS, 6-14 UNDERWOOD STREET, LONDON, N1 7JQ

+44 (0)207 4903998

SALES@DAL-UK.COM

WWW.DAL-UK.COM



© 2023. Designed Architectural Lighting.
All rights reserved, all designs and photos are protected by copyright.